

**SINGLE PHASE  
HYBRID INVERTER**

**6.2 kVA**

**2 YEAR WARRANTY**

**6500W  
MAX PV POWER**

**220V~240V  
OUTPUT VOLTAGE**

COMPATIBLE  
WITH ALL  
**EKOTEK  
INVERTERS**

**FULLY  
PROTECTED  
SYSTEM**

**NO  
INSTALLATION  
REQUIRED**

**ALL-IN-1  
HUB  
INVERTER SYSTEM**

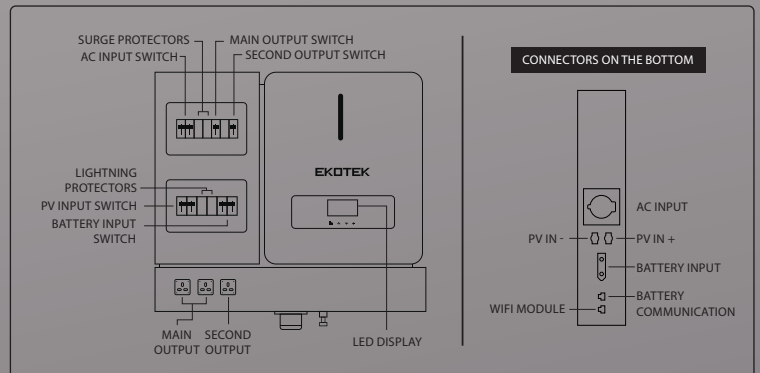
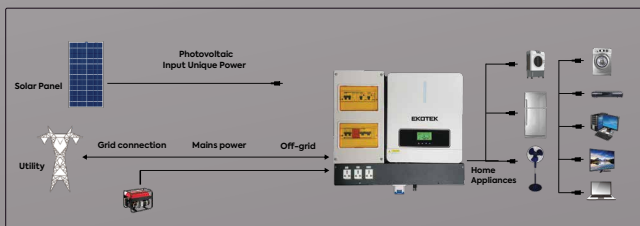


# THE HUB 6200

6.2 kVA Hybrid Inverter HUB

**EK-HUB-6200**

- All inputs and outputs are routed through an MCU.
- Plug-and-play solution, completely pre-installed.
- Standardized solution avoids substandard installation.
- Specialized individual connectors to avoid mismatches.
- High-level protection against thunderstorms, lightning, power surges, short circuits, and overvoltage.





THE HUB 6200		6.2 KVA	
Phase		1 Phase	
Maximum PV Input Power		6500W	
Rated Output Power		6200W	
Surge Power		12400W	
Parallel Capability		NO	
<b>GRID TIE OPERATION</b>			
<b>PV INPUT (DC)</b>			
Nominal DC Voltage / Maxium DC Voltage		360/500V DC	
Start-up Voltage / Inital Feeding Voltage		90V DC / 120V DC	
MPPT Voltage Range		60-450V DC	
Maximum Input Current		1/22A	
<b>GRID OUTPUT (AC)</b>			
Nominal Output Voltage		220/230/240V AC	
Output Voltage Range		195.5-253V AC	
Nominal Output Current		27.0A	
Power Factor		>0.99	
<b>OFF GRID-HYBRID OPERATION</b>			
<b>PV INPUT (DC)</b>			
Nominal DC Voltage / Maxium DC Voltage		360/500V DC	
Start-up Voltage / Inital Feeding Voltage		60V DC / 90V DC	
MPPT Voltage Range		60-450V DC	
Maximum Input Current		1/22A	
<b>AC INPUT</b>			
AC Start up Voltage / Auto Restart Voltage		120-140V AC / 180V AC	
Acceptable input Voltage Range		90-280V AC or 170-280V AC	
Frequency Range		49-51 +/- 1 Hz	
Maximum AC Input Current		40A	
<b>AC OUTPUT</b>			
AC Voltage Regulation		230VAC +/- 55%	
Efficiency (Peak) PV to INV		98%	
Efficiency (Peak) BATT to INV		94%	
Transfer Time		"10ms (personal computer/ UPS ) 20ms(home appliances)"	
<b>DUAL LOADS AC OUTPUT</b>			
Full Load		4200W	
Max. Main Load		4200W	
Max. Second Load (Battery Mode)		1400W	
Main Load Cut Off Voltage		52V DC	
Main Load Return Voltage		54 V DC	
<b>BATTERY &amp; CHARGER</b>			
Nominal DC Voltage		48V DC	
Maximum Solar Charging Current		120A	
Maximum AC Charging Current		100A	
Battery Type Supported		Lead Acid/VRLA/AGM/Deep Cycle/Gel/Flooded/Tubular/Lithium-Ion	
Overcharge Protection		Yes	
Low Battery Alarming Voltage		Yes	
Low Battery Cut Off Protection Voltage		Yes	
<b>GENERAL</b>			
Dimensions (D*W*H) (mm)		400*355*115	
Net Weight (kgs)		9.8	
Communication Interface & Monitoring		"RS323/RS458/ LCD DISPLAY Wifi/Bluetooth (optional) "	
Ingress Protection		IP20	